



PEW系列欧版颚式破碎机

PEW Series Euro-style Jaw Crusher

“V” 力无穷 吞吐大荒

“V” Power is infinite



世邦工业科技集团股份有限公司
Shibang Industry & Technology Group CO., Ltd.

地址： 上海浦东新区金桥南区建业路416号
Shanghai Shibang Machinery Co., Ltd.No.416 jianye Road, South Jinqiao
Area, Pudong New District, Shanghai,China (201201)

电话： 400-696-1899 021-5838-6699

传真： 021 58385681

邮箱： info@shibang.cn

网址： www.shibangchina.com

PEW系列欧版颚式破碎机

PEW Series Euro-style Jaw Crusher

“V” 力无穷 吞吐大荒
“V” *Power is infinite*

产品介绍

Product Introduction

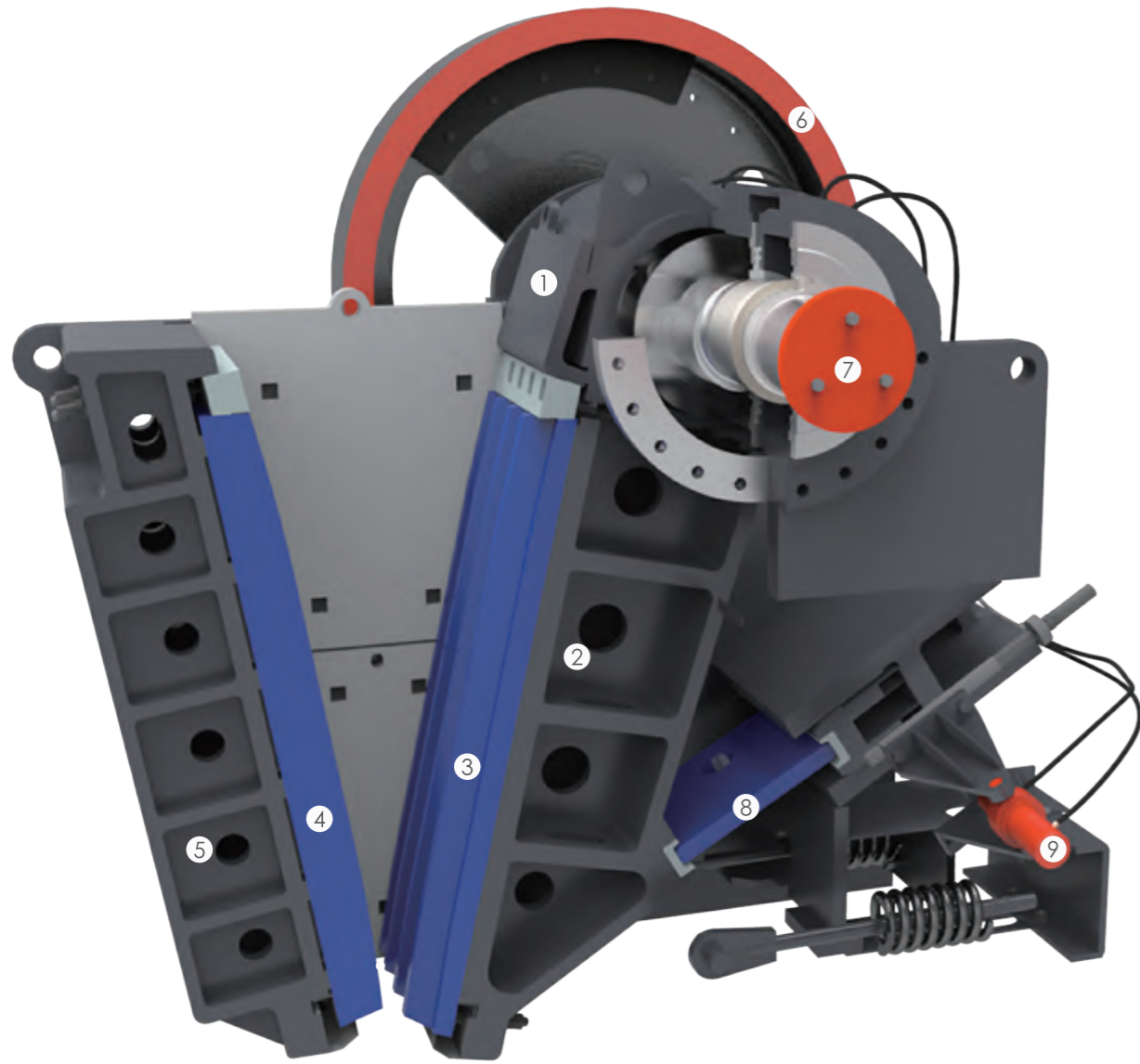
颚式破碎机具有破碎比大，工作可靠，维修简单，运行成本低等诸多优点，在冶金、矿山、建材、化工、煤炭等行业得到广泛引用。上海世邦机器有限公司生产的新一代欧版颚式破碎机融合了三十多年破碎机生产积累的经验 and 最新的设计理念。为客户在高效与低成本之间提供一个最佳的选择。

Jaw crusher features big crushing ratio, reliable operation, easy maintenance and low operating cost and it is widely used in metallurgical, mining, building materials, chemical and coal industries. The new generation European version produced by Shanghai Shibang Machinery Co., Ltd. which has incorporated more than 30 year's in the crusher production experience and latest design concept and provided a best choice between high efficiency and low cost.



-----主要结构-----

Detailed Structure:



- 1—动颚护板 Swing Jaw Guard Board
- 2—动颚 Swing Jaw
- 3—动颚衬板 Movable Jaw Liner Plate
- 4—定颚衬板 Lining Plate of Fixed Jaw
- 5—机架 Housing
- 6—带轮 Belt Pulley
- 7—偏心轴 Eccentric Shaft
- 8—肘板 Toggle Plate
- 9—液压调整系统 Hydraulic Adjustment System

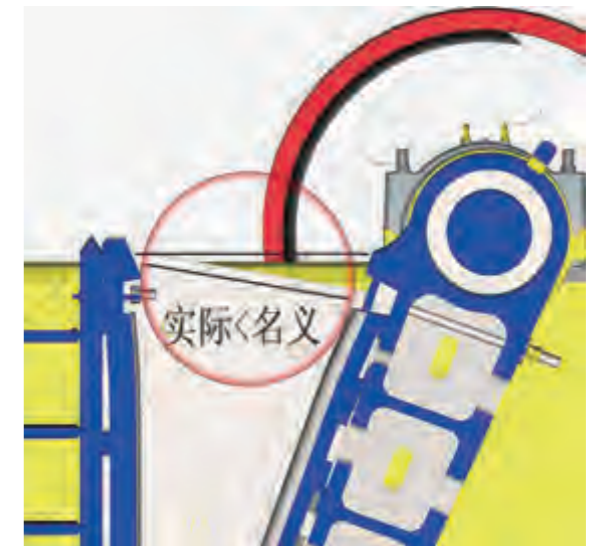
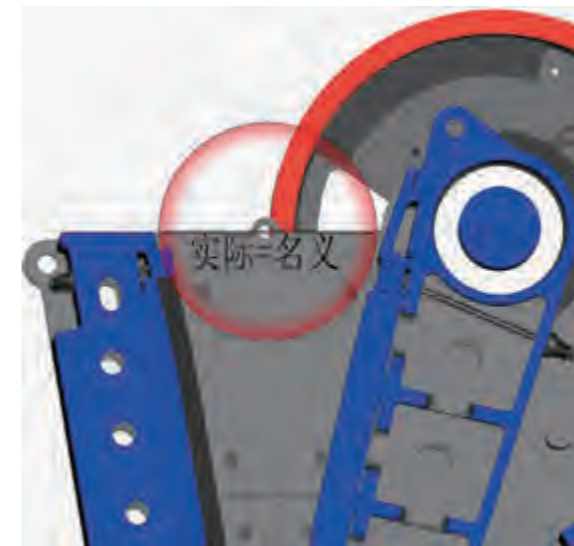
PEW系列欧版颚式破碎机核心改进

PEW Series Eure-style Jaw Crusher key Improvements

V型结构破碎腔 V-shaped Structure Crushing Cavity

实际进料口宽度与名义进料口宽度相一致。从而能满足更大的入料要求。

Width of actual feed port is consistent with the one of nominal feed port which is able to meet a big feeding.

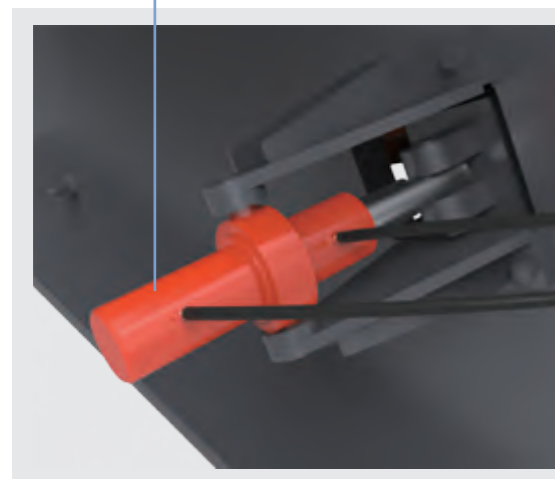


实际 Actual 名义 Nominal

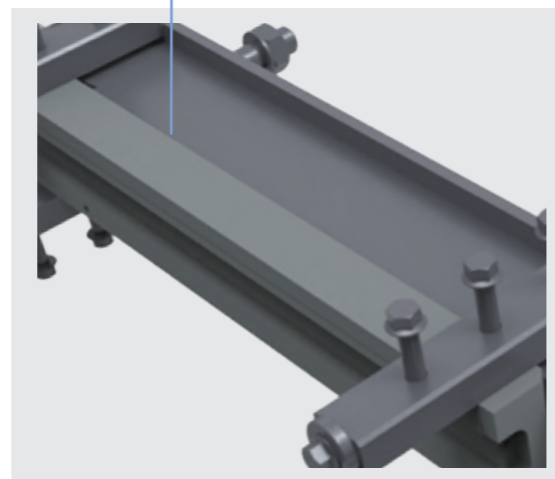
排料口调节更快捷方便 Faster and Easier Adjustment for Discharge Port

采用楔块液压调整：结构简单，制作方便；能实现自动控制、无级调。

Wedge-shaped hydraulic adjustment which is adopted features simple structure and easy fabrication and enable to realize automatic control and stepless adjustment.



液压装置 Hydraulic Device

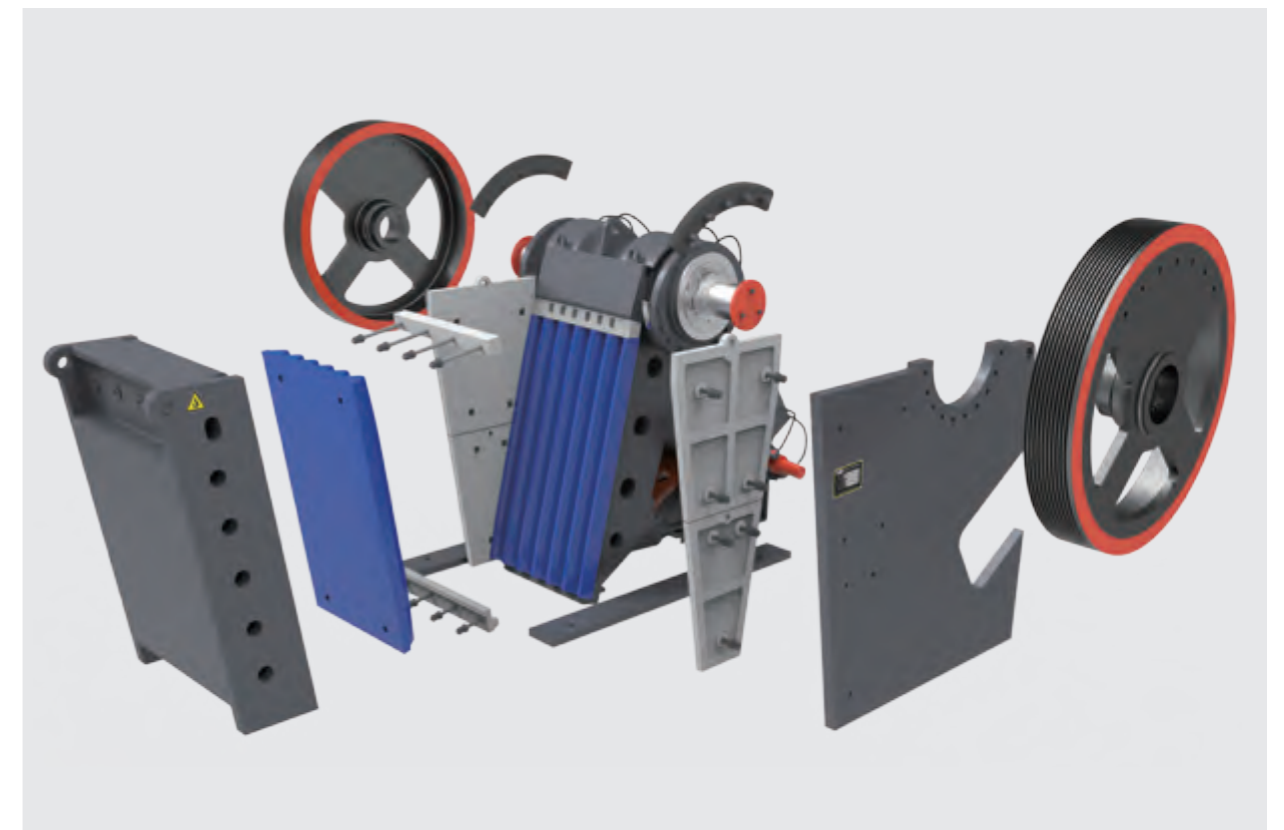


楔块 Wedge Block

更先进的动颚总成 More Advanced Jaw Assembly

经过机构优化设计的动颚是保证破碎机性能优越的充分条件。世邦机器的欧版颚破由高质量的铸钢件构成，重型偏心轴亦采用锻坯进行加工。在有效提高动颚刚度和强度同时，减轻了动颚质量。

The swing jaw through mechanically optimization is a sufficient condition for ensuring the superior performance of the crusher. The European version Shibang crusher is composed of high quality cast steels. Heavy eccentric shaft is processed by forging stock which will lightens the weight of swing jaw meanwhile its stiffness and strength will also be improved.



集中润滑装置 Concentrated Lubricating Device

轴承的润滑更加便捷，机器运行更加稳定。

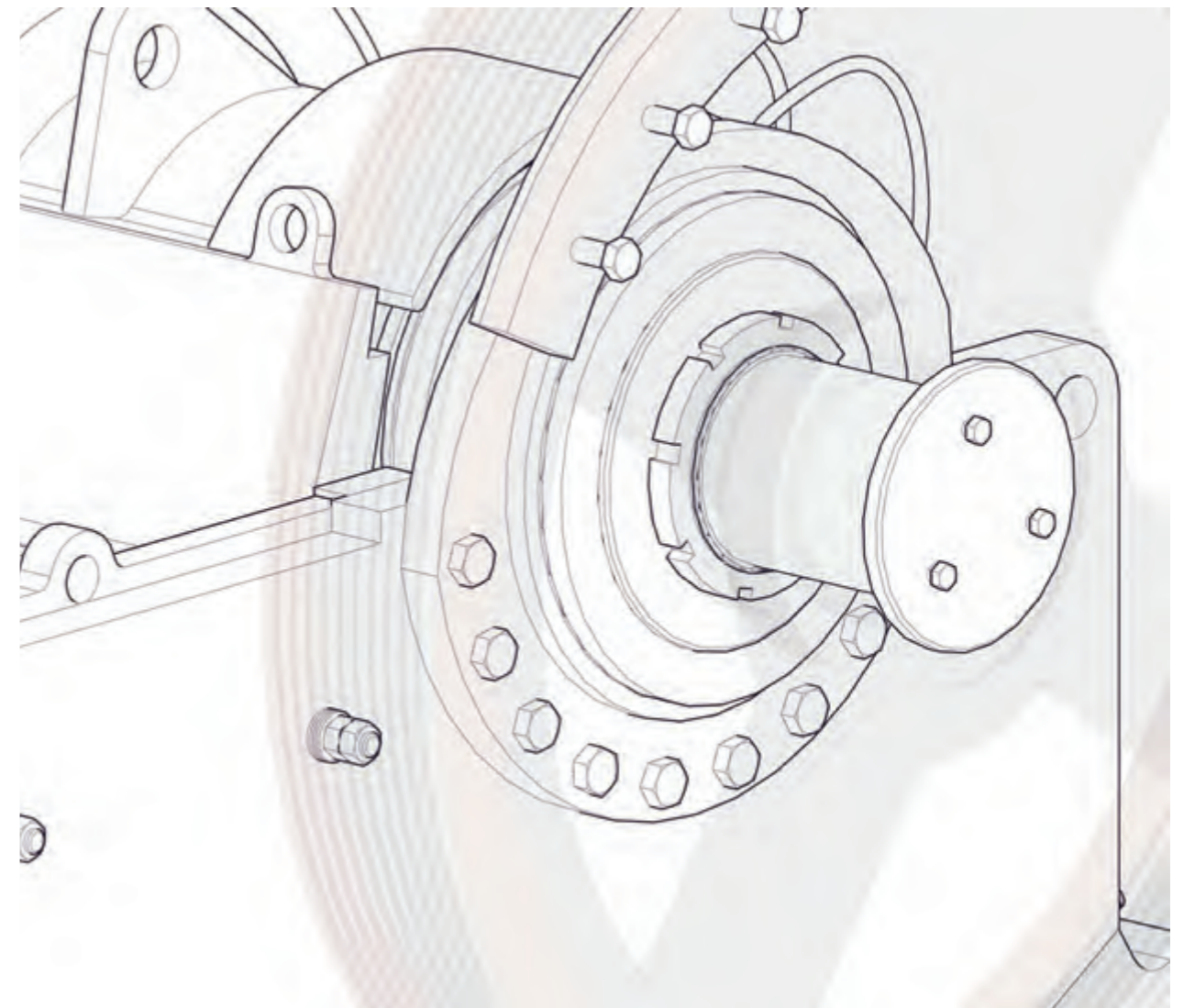
It makes more convenient lubrication for the bearings and more stable operation for the machine.



整体式铸钢结构轴承座 Integral Cast Steel Structure Bearing Block

保证与破碎机架完全配合，大大增强轴承座的径向强度。

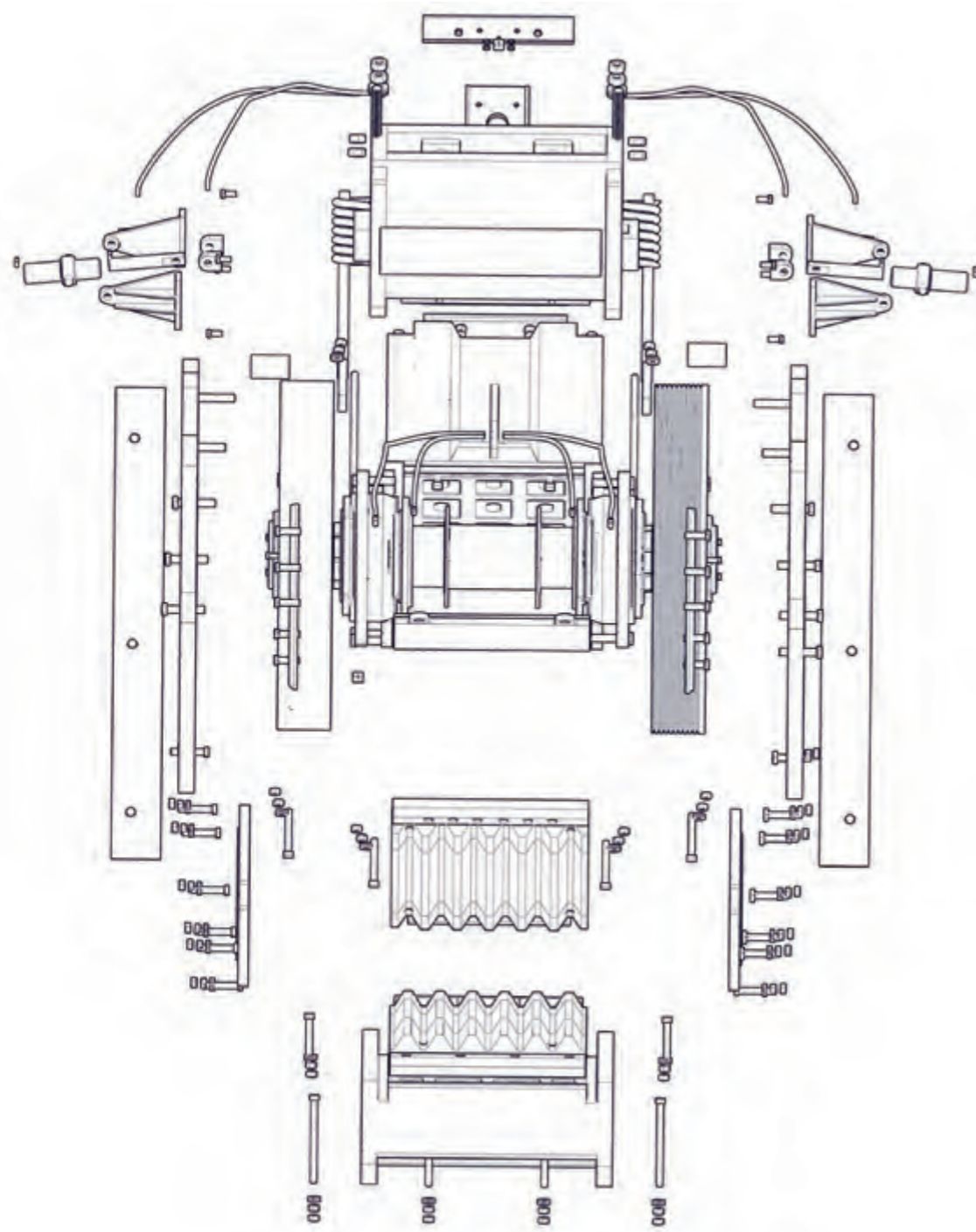
It ensures the perfect fitting with the crusher rack which has greatly strengthened the radial strength of the bearing block.



焊接结构机架 Welded Structure Rack

加强了机架、动颚的有限元优化设计，达到质量轻的同时又具有高度的可靠性。

It has strengthened the finite element optimal design of the rack and swing jaw which helps to reach both light weight and high reliability.



技术参数：

Technical Parameters:

参数		型号		
项目		PEW760	PEW860	PEW1100
进料口尺寸(mm) Size of Feed Port (mm)		760×1100	860×1100	1100×1200
进料最大尺寸(mm) Size of Maximal Feed Port (mm)		640	720	930
排料口调整范围(mm) Adjustment Range of Discharge Port (mm)		75-200	100-225	150-275
偏心轴转速(rpm) Rotational Speed of Eccentric Shaft (rpm)		270	240	210
理论生产能力(t/h) Theoretical Capacity (t/h)		150-350	200-500	300-650
电机 Electric Motor	功率(Kw) Power (Kw)	110	132	185
机器外形尺寸(L×W×H) Machine Overall Dimension(L×W×H)		2600×2500×2200	3300×2320×3120	4140×2660×3560
电源电压(V) Power Supply Voltage (V)		380	380	380
电源频率(Hz) Power Supply Frequency (Hz)		50	50	50